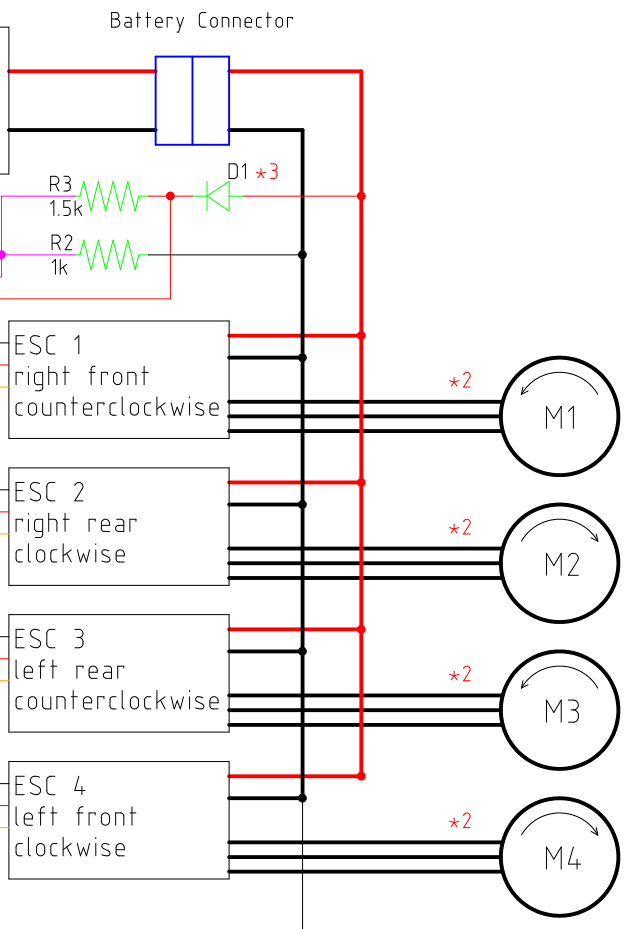
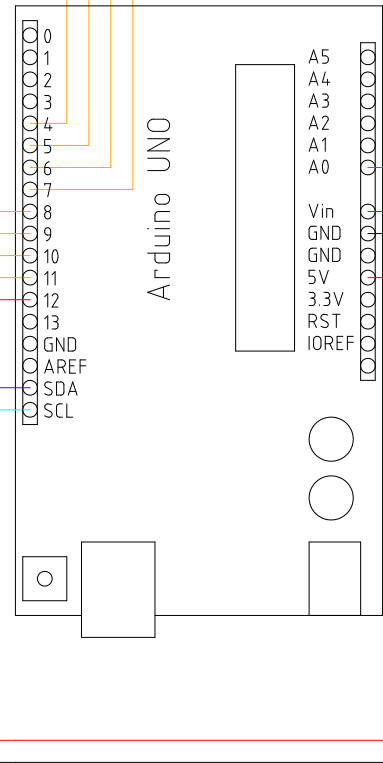
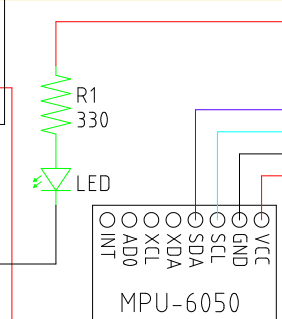
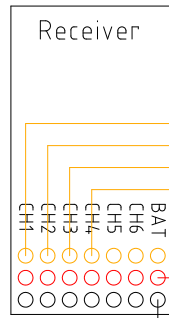


Lipo battery  
 3 cell 11.1V only!  
 20C or higher  
 2200mAh or 3800mAh



\*4 = For the YMFC-3D the L3G4200D or L3GD20H can also be used  
 \*3 = 1N4001 or similar  
 \*2 = switch 2 of the 3 wires to reverse the direction of the motor  
 \*1 = do not connect the +5V BEC wire

This drawing is provided "as is", without warranty of any kind. You are using it at your own risk.

Project: YMFC-3D V2 & YMFC-AL		
Name:	Schematic	Drawn: J. Brokking
Date:	29-10-2016	Page: 1 of 1